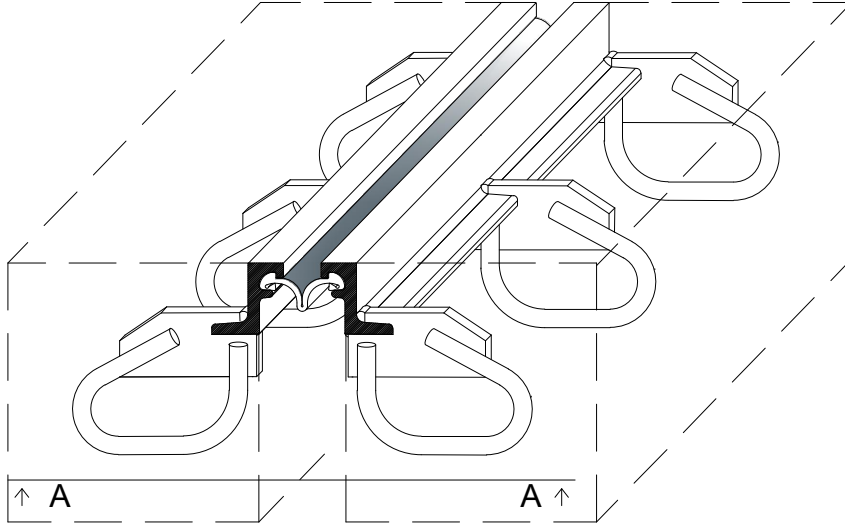
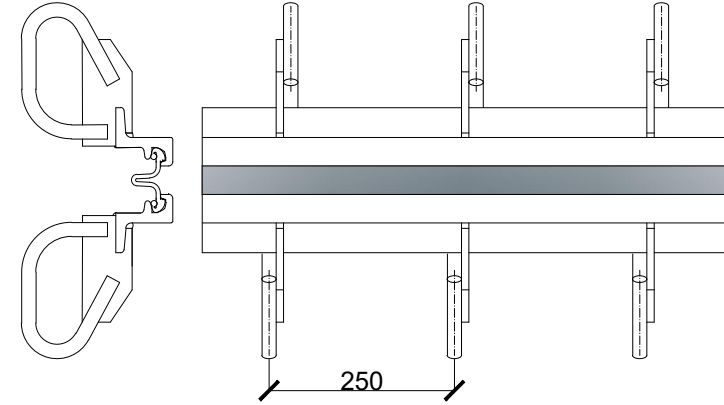


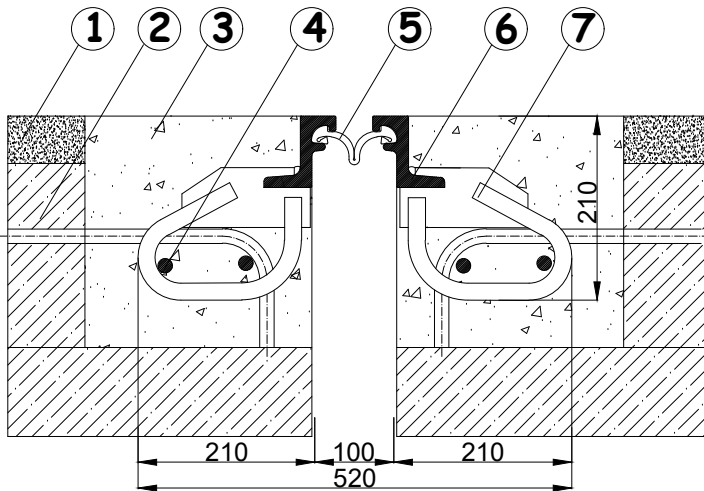
# BE 80 TM ( $\pm 40$ mm) SINGLE SEAL STEEL TYPE EXP. JOINT



PERSPECTIVE VIEW



PLAN



A-A SECTION

NOT SCALED DRAWING



## ARFEN

KÖPRÜ VE YAPI TEKNOLOJİLERİ  
SAN. TİC. LTD. ŞTİ.

Fabrika Adres //Factory Address

Cerkesli Osb. Mah. İmes 3 bulvarı No:27

Dilovası/Kocaeli-TURKEY

Tel: +90 (262) 502 03 82

kopru@arfen.com

www.arfen.com.tr

	DESCRIPTION	MATERIAL	STANDARD NO
1	ASPHALT LAYER	Application Project	
2	DECK CONCRETE	Application Project	
3	SIDE CONCRETE	Min Strength C40 or higher	
4	REINFORCEMENT	ST-37 Steel	
5	WATERTIGHT SEAL	EPDM	EN 681 - 1
6	EDGE PROFILE	S235 JR	EN 10025
7	STIRRUP AND CONNECTIN PLATE	S235 JR	EN 10025
*	USEING STEEL MESH IS OFFERED FOR SIDE CONCRETES		
Drawn	Civil Engineer	Selim TOPCU	...../...../2020
Control	Mechanical Engineer	Mehmet SÖNMEZ	
Apprvl	Msc. Civil Engineer	Mehmet KARA	

\*\* ALL RIGHTS RESERVED BY; ARFEN KÖPRÜ ve YAPI TEKNOLOJİLERİ SAN. TİC. LTD. ŞTİ.